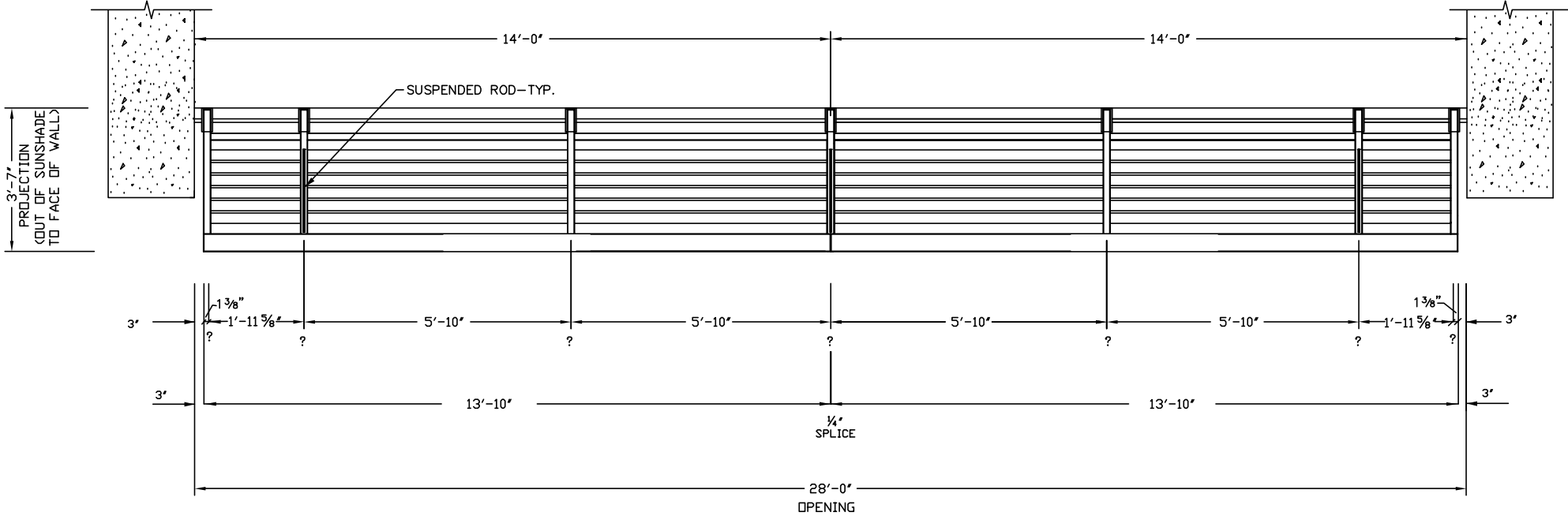
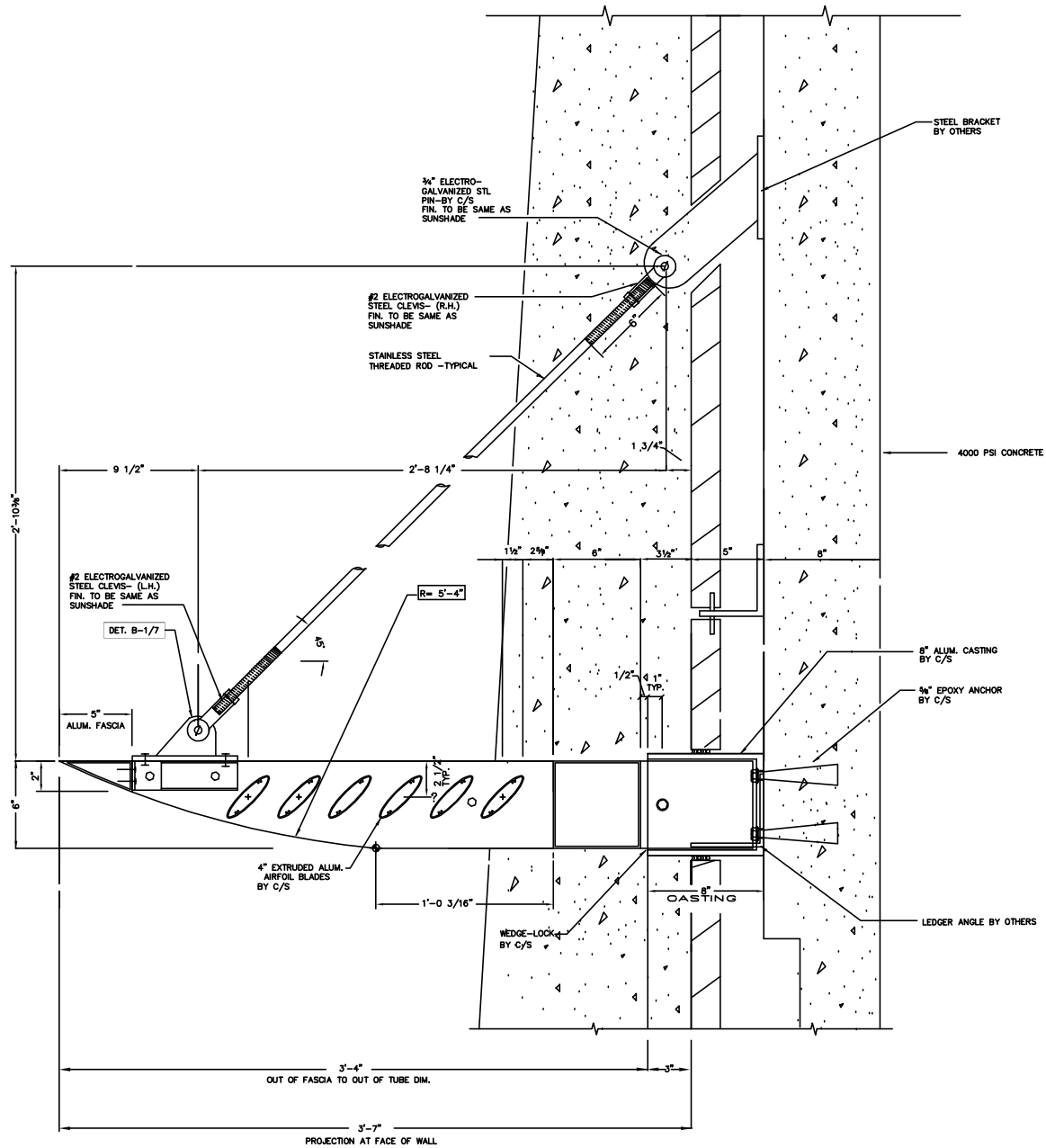


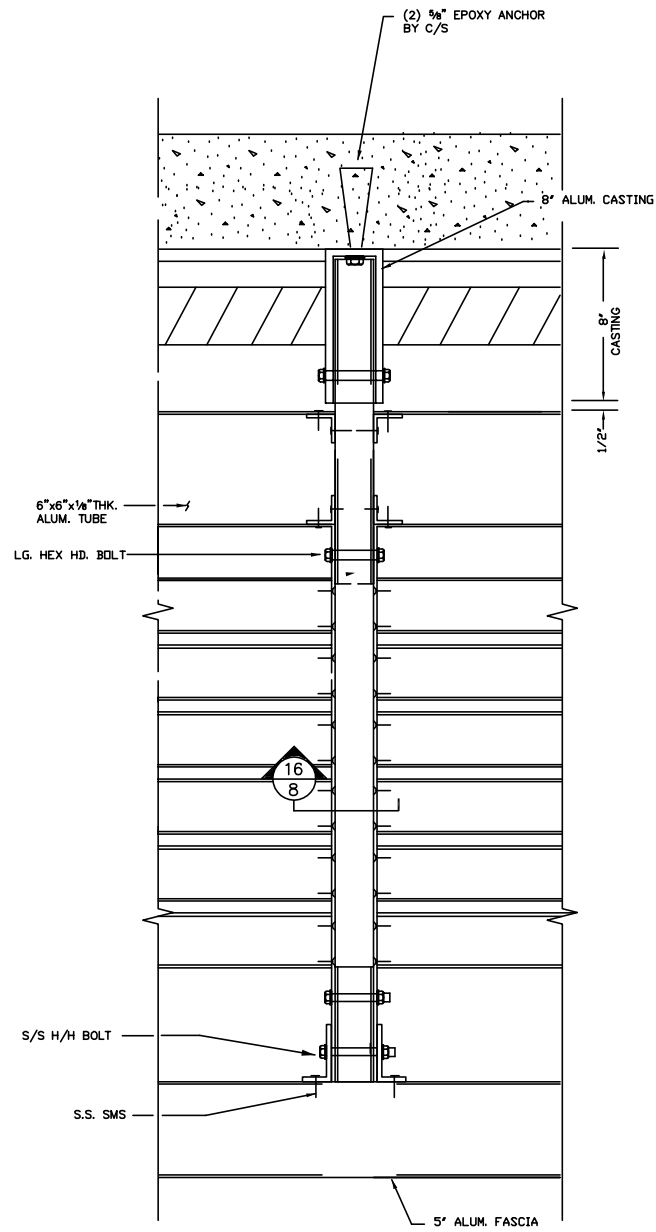
SUN HEALTHCARE FACILITY ALBUQUERQUE, NM



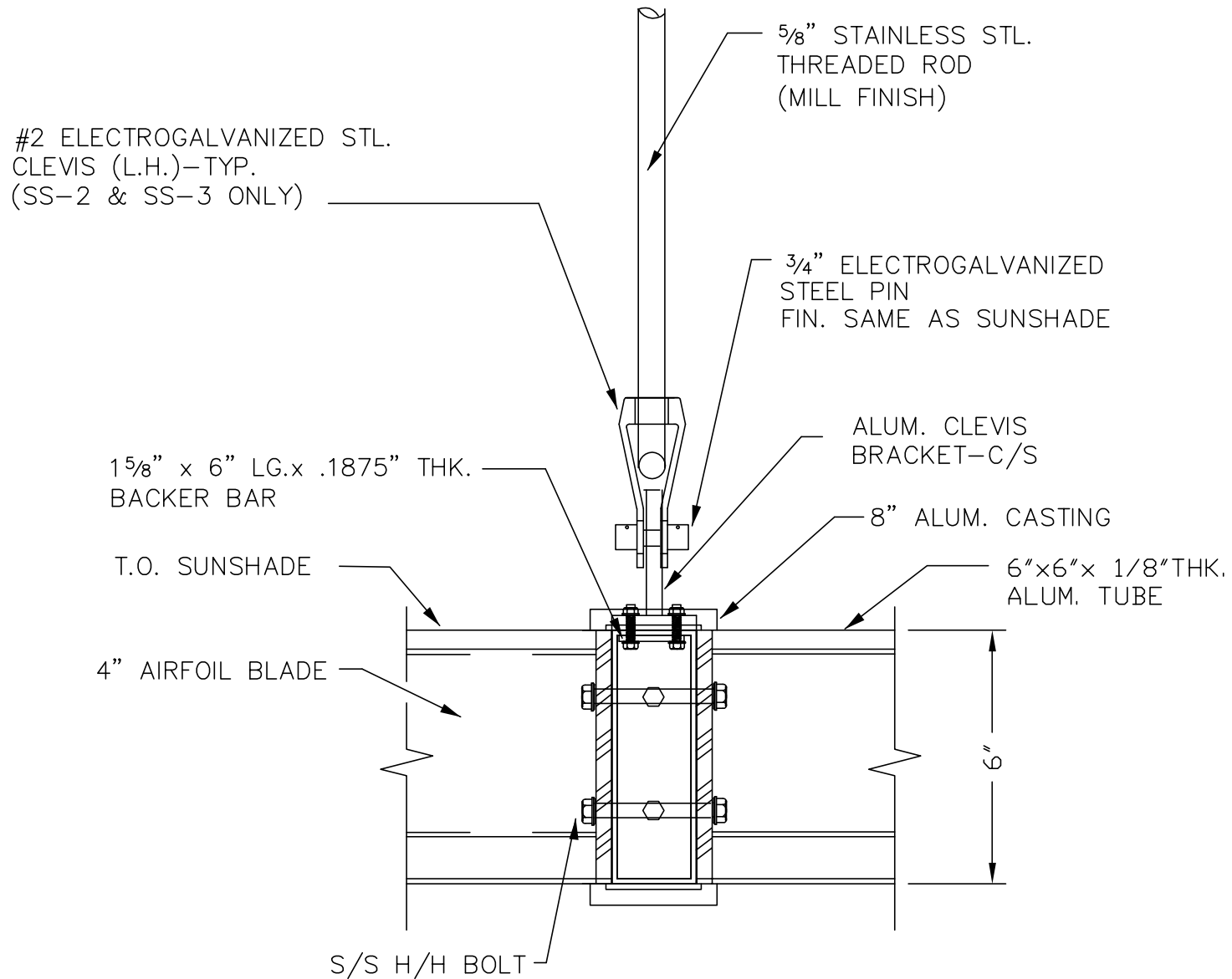
PLAN VIEW



CROSS SECTION



INTERM. SUPPORT DET.



ELEVATION AT INTERM. OUTRIGGER